

## Field-Adjustable T8 LED Tube T8-L48-G13MB-26HO-PC850A

This field-adjustable LED tube from ConNexTube® enables luminaire manufacturers or electrical contractors to upgrade linear fluorescent fixtures to LED lighting in a few minutes, either in the factory or field installation. And further, people can field-adjust the light levels of luminaires easily by using our patented ConnSet® technology. This versatility allows OEMs and distributors to meet orders faster and more confidently while reducing costs and inventory.



These LED tubes are designed to operate as part of ConNexTube Type-C lighting systems, which feature Dim-to-Off capability and 12V-always-On auxiliary power to provide lighting control and wireless connectivity for LED fixtures at the lower cost. That results in a simpler, less expensive but powerful LED fixture that can enable every fixture to become a wireless node. The resulting advantages enable Networked Lighting Control with greater installation flexibility, good scalability, and optimized labor installation cost, suitable for many applications but particularly hard-to-wire applications.

### SPECIFICATIONS

General	
Lamp Size	T8 LED Tube
Lamp Length	4-Foot
Lamp Base	G13 (Medium Bi-Pin)
Lamp Material	Polycarbonate (PC)
UL Type	Type C

Electrical Technical	
System Lamp Power (Adj.) <sup>Note 1</sup>	28W ~ 11W
System Input Voltage	120 ~ 347Vac
Power Factor	> 0.95
THD	< 10%
Dimming Range	100% ~ 1%

Light Technical	
Output Lumens (Adj.)	4300 lm ~ 1600 lm
Bare Lamp Efficacy <sup>Note 2</sup>	160 lm/W
CCT (Nom)	5000 K
CRI (Nom)	≥ 82
Beam Angle (Nom)	> 190°

Safety and Reliability	
Anti-arcing Protection	Yes
Anti-shock Protection	Yes
RoHS Compliant	Yes
Lamp Category	HO
TM-21 Reported L70	> 60,000 hrs

UL / cUL Listed	FCC Compliant	DLC Qualified
UL1993, UL1598C	FCC Part15 Class A Non-consumer	DLC 5.1

Note 1: System lamp power measured at system input, inclusive of Type C driver losses.

Note 2: Bare lamp efficacy measured at lamp input only, exclusive of Type C driver losses.

## Field-Adjustable T8 LED Tube T8-L48-G13MB-26HO-PC850A

### Field Adjustable Light Output

LED Tube Model No.	LED Ballast Model No.	CONNSET® Model No.	Lamp Lumen (per lamp)	Number of Lamps	System Input Power	System Output Lumens	System Efficacy (lm/W)	Power Factor
T8-L48-G13MB-26HO-PC850A	4-Lamps Ballast: LB-WLD0-105-4P26	Default	4300 lm	4	112.0 W	17,200 lm	153 LPW	0.99
		CS1-683	4000 lm	4	103.9 W	16,000 lm	154 LPW	0.99
		CS1-473	3800 lm	4	98.0 W	15,200 lm	155 LPW	0.99
		CS1-333	3500 lm	4	90.3 W	14,000 lm	155 LPW	0.98
		CS1-203	3200 lm	4	81.6 W	12,800 lm	157 LPW	0.98
		CS1-163	3000 lm	4	75.9 W	12,000 lm	158 LPW	0.98
		CS1-143	2800 lm	4	71.3 W	11,200 lm	157 LPW	0.97
		CS1-103	2500 lm	4	63.3 W	10,000 lm	158 LPW	0.97
		CS1-822	2300 lm	4	57.5 W	9,200 lm	160 LPW	0.96
		CS1-682	2000 lm	4	51.6 W	8,000 lm	155 LPW	0.95
		CS1-562	1800 lm	4	48.9 W	7,200 lm	147 LPW	0.95
	CS1-472	1600 lm	4	43.8 W	6,400 lm	146 LPW	0.94	
	3-Lamps Ballast: LB-WLD0-080-3P26	Default	4300 lm	3	84.0 W	12,900 lm	153 LPW	0.99
		CS1-823	3900 lm	3	76.0 W	11,700 lm	154 LPW	0.98
		CS1-563	3600 lm	3	69.2 W	10,800 lm	156 LPW	0.98
		CS1-393	3400 lm	3	65.4 W	10,200 lm	156 LPW	0.98
		CS1-273	3100 lm	3	58.9 W	9,300 lm	158 LPW	0.97
		CS1-203	2800 lm	3	53.2 W	8,400 lm	158 LPW	0.97
		CS1-163	2500 lm	3	48.1 W	7,500 lm	156 LPW	0.96
		CS1-133	2300 lm	3	43.7 W	6,900 lm	158 LPW	0.95
		CS1-103	2000 lm	3	38.5 W	6,000 lm	156 LPW	0.94
		CS1-822	1700 lm	3	34.0 W	5,100 lm	150 LPW	0.93
CS1-562		1400 lm	3	29.0 W	4,200 lm	145 LPW	0.91	

Notes: For the full configuration matrix, contact ConNexTube or your local representative.

## Field-Adjustable T8 LED Tube T8-L48-G13MB-26HO-PC850A

### Field Adjustable Light Output

LED Tube Model No.	LED Ballast Model No.	CONNSET® Model No.	Lamp Lumen (per lamp)	Number of Lamps	System Input Power	System Output Lumens	System Efficacy (lm/W)	Power Factor
T8-L48-G13MB-26HO-PC850A	2-Lamps Ballast: LB-WLD0-055-2P26	Default	4300 lm	2	57.3 W	8,600 lm	150 LPW	0.99
		CS1-683	4000 lm	2	53.0 W	8,000 lm	151 LPW	0.99
		CS1-473	3800 lm	2	49.7 W	7,600 lm	153 LPW	0.98
		CS1-333	3500 lm	2	45.5 W	7,000 lm	154 LPW	0.97
		CS1-203	3200 lm	2	40.8 W	6,400 lm	157 LPW	0.97
		CS1-163	3000 lm	2	38.7 W	6,000 lm	155 LPW	0.97
		CS1-143	2800 lm	2	36.1 W	5,600 lm	155 LPW	0.97
		CS1-103	2500 lm	2	32.9 W	5,000 lm	152 LPW	0.96
		CS1-822	2300 lm	2	28.8 W	4,400 lm	153 LPW	0.96
		CS1-682	2000 lm	2	26.1 W	4,000 lm	153 LPW	0.95
		CS1-562	1800 lm	2	24.5 W	3,600 lm	147 LPW	0.94
		CS1-472	1600 lm	2	22.7 W	3,200 lm	141 LPW	0.93

Notes: For the full configuration matrix, contact ConNexTube or your local representative.

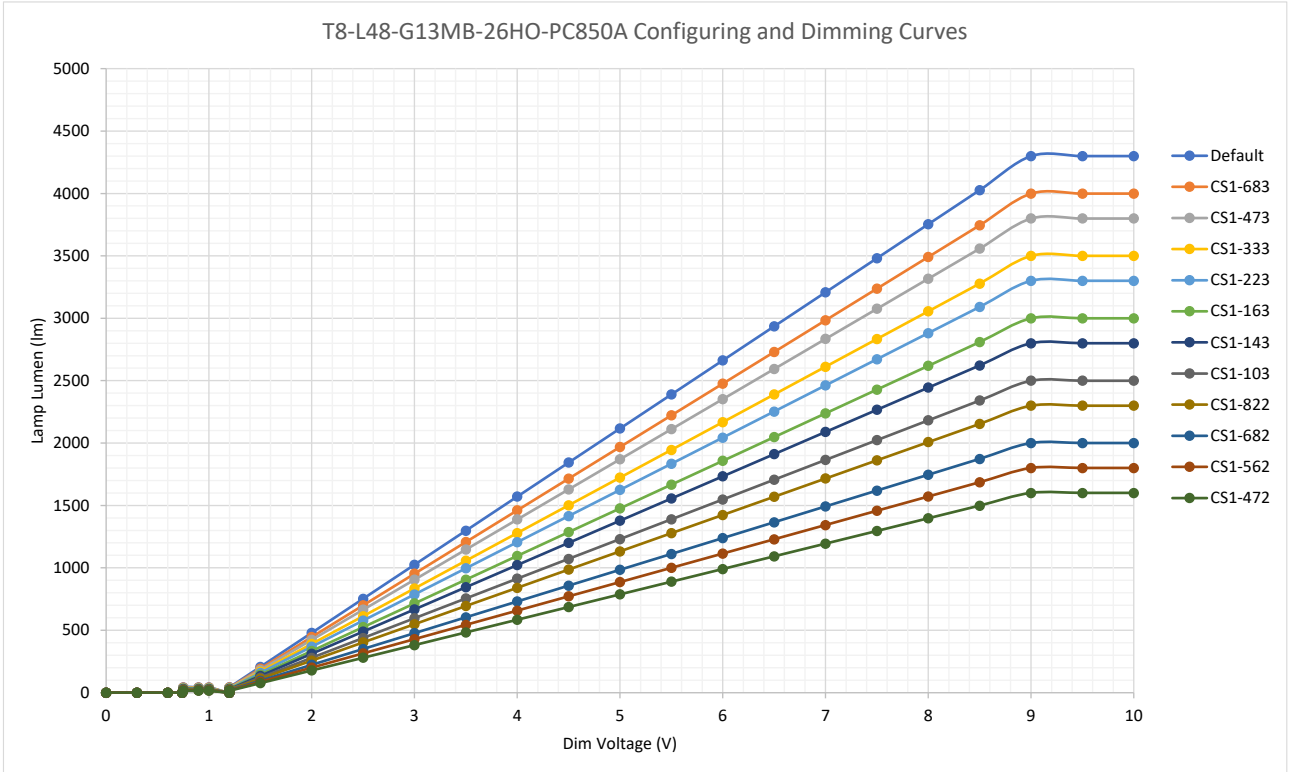
### De-lamping Performance

Ballasts	Num. of Lamp	System Output Lumens	System Input Power	#1 Lamp Lumen	#2 Lamp Lumen	#3 Lamp Lumen	#4 Lamp Lumen
4-lamps Ballast	4	17,200 lm	112 W	4300 lm	4300 lm	4300 lm	4300 lm
	3	12,900 lm	84 W	4300 lm	4300 lm	4300 lm	0
	2	8,600 lm	57 W	4300 lm	4300 lm	0	0
	1	4,300 lm	30 W	4300 lm	0	0	0
3-lamps Ballast	3	12,900 lm	84 W	4300 lm	4300 lm	4300 lm	NA
	2	8,600 lm	57 W	4300 lm	4300 lm	0	NA
	1	4,300 lm	30 W	4300 lm	0	0	NA
2-lamps Ballast	2	8,600 lm	57 W	4300 lm	4300 lm	NA	NA
	1	4,300 lm	30 W	4300 lm	0	NA	NA

Notes: Intended for use within ConNexTube Type-C lighting systems.

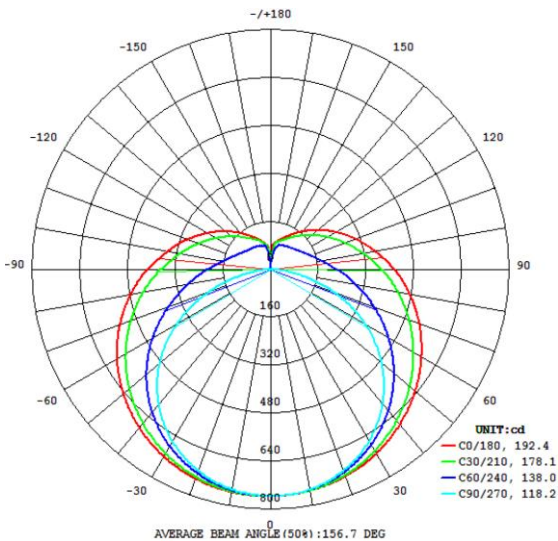
## Field-Adjustable T8 LED Tube T8-L48-G13MB-26HO-PC850A

### Dimming Curves

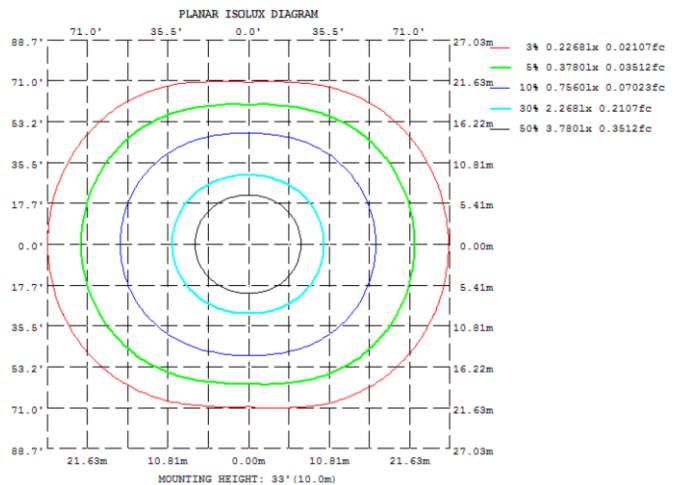


Notes: Curves shown under ConNexTube Type-C system configuration.

### Zonal Lumen Distribution

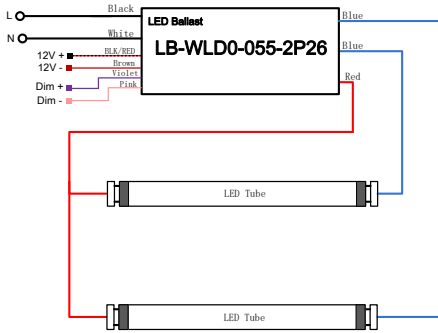


### ISOLUX Plot

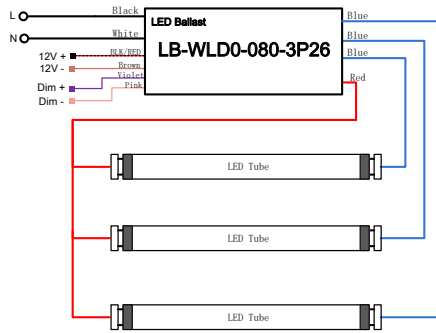


## Field-Adjustable T8 LED Tube T8-L48-G13MB-26HO-PC850A

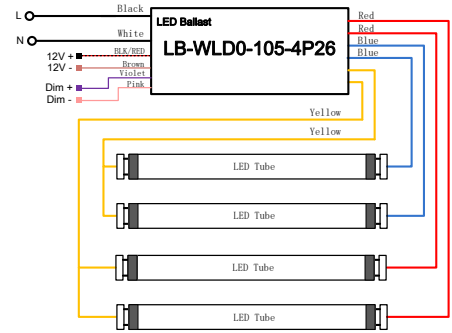
### Wiring Diagrams (Representative wiring diagrams for ConNexTube Type-C systems)



2-lamp LED Ballast



3-lamp LED Ballast



4-lamp LED Ballast

Notes: Disconnect power before installation.

### Product Naming

**T8 - L48 - G13MB - 26HO - PC850A**

①

②

③

④

⑤

⑥

⑦

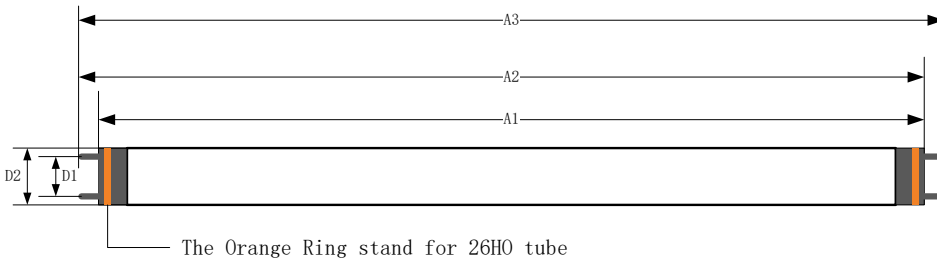
⑧

Number	Meaning	Options
①	Lamp Size	<b>T5</b> stands for T5 tube lamp; <b>T8</b> stands for T8 tube lamp; <b>T12</b> stands for T12 tube lamp
②	Lamp Length	<b>L24</b> stands for 2Ft; <b>L36</b> stands for 3Ft; <b>L48</b> stands for 4Ft; <b>L96</b> stands for 8Ft
③	Lamp Base	<b>G5MNB</b> stands for G5 Miniature Bi-Pin; <b>G13MB</b> stands for G13 Medium Bi-Pin; <b>FA8SG</b> stands for FA8 Single Pin; <b>R17DC</b> stands for Recessed Double Contact
④	Light Output	<b>16HE</b> stands for 16W High Efficiency; <b>26HO</b> stands for 26W High Output
⑤	Tube Material	<b>GL</b> stands for Glass tube; <b>PC</b> stands for Polycarbonate (PC)
⑥	CRI	<b>8</b> stands for CRI>80; <b>9</b> stands for CRI>90
⑦	CCT	<b>35</b> stands for CCT 3500K; <b>40</b> stands for CCT 4000K; <b>50</b> stands for CCT 5000K
⑧	Product Version	Letter <b>A</b> , <b>B</b> , <b>C</b> stands for product version

Notes: 16HE / 26HO refers to the nominal bare lamp input power

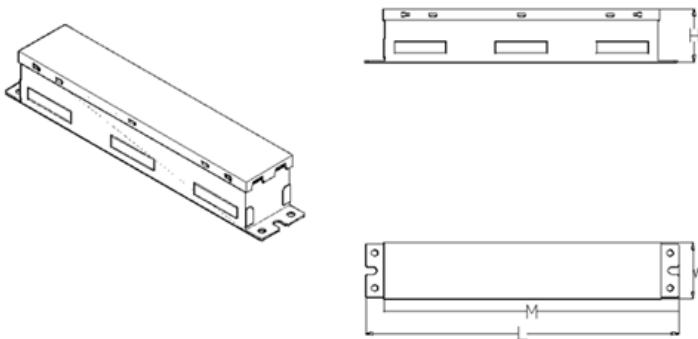
## Field-Adjustable T8 LED Tube T8-L48-G13MB-26HO-PC850A

### LED Tube Profile and Installation Dimensions



Items	Dimension (mm)
A1	1198
A2	1205
A3	1212
D1	12.0
D2	25.4

### External LED Ballast (Type C Driver) Mechanical Profile



Dimension	Unit (mm)	Unit (inch)
Length (L)	241.3	9.5
Width (W)	43.2	1.7
Height (H)	30.5	1.2
Mounting (M)	229.0	9.0

### Revision History

Date	Version	Description of Change		
		Item	From	To
2023-07-21	V1.0	Datasheet Release	/	/
2023-10-16	V2.0	Publish datasheets per CCT		
2024-04-12	V3.0	Add De-lamping data	/	De-lamping Data
2025-11-15	V3.1	Clarified bare-lamp vs system definitions; corrected formatting; no change to certified performance		



© 2025 ConNexTube Technology Inc. All rights reserved. ConNexTube does not give any representation or warranty as to the accuracy or completeness of the information included herein and shall not be liable for any action in reliance thereon. The information presented in this document is not intended as any commercial offer and does not form part of any quotation or contract, unless otherwise agreed by ConNexTube Technology Inc.