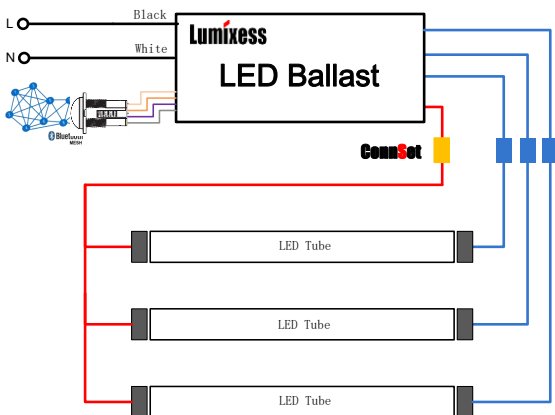


While the implementation of LED light bulbs alone provides significant improvements in energy efficiency, the connected or smart lighting also allows for further optimizations through automation and user control.

The Connected-Ready LED Ballasts are the newest addition to LUMIXESS®'s comprehensive product family. Such products interfaced with standard 0-10V dimming signal, featured the Dim-to-Off capability and 12V-always-On auxiliary power to provide lighting control and wireless connectivity for LED tube fixtures at the lowest system cost. That resulting advantages enable Networked Lighting Control with greater installation flexibility, good scalability, and lowest labor installation cost. Due to the dense granularity of luminaires and sensors, lighting can form the wireless or wired backbone within a building, connect all smart devices easily, and even be part of the IT infrastructure itself.

The Connected-Ready LED Ballasts support easier commissioning and installation, use of latest wireless controls and is fully scalable to any 3rd party controller due to standard 0-10V dim interface.



**Unlimited compatible with 3<sup>rd</sup> party sensors / controllers**



Intelligent Fixture™ Sensor



TurBlue™ Mesh Controller



Low Voltage In-Fixture Sensor



Low Voltage OS-NET Sensor



EASYFIT LED Zone Controller



Low voltage fixture adapter



Technology Partner  
**SILVAIR**



Fixture-Integrated Sensor Controller



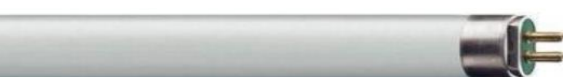
EasySense SNS010C



SensiLUM wireless sensor



T8-L48-G13MB-26HO-GL940A



T5-L48-G5MNB-26HO-GL940A

